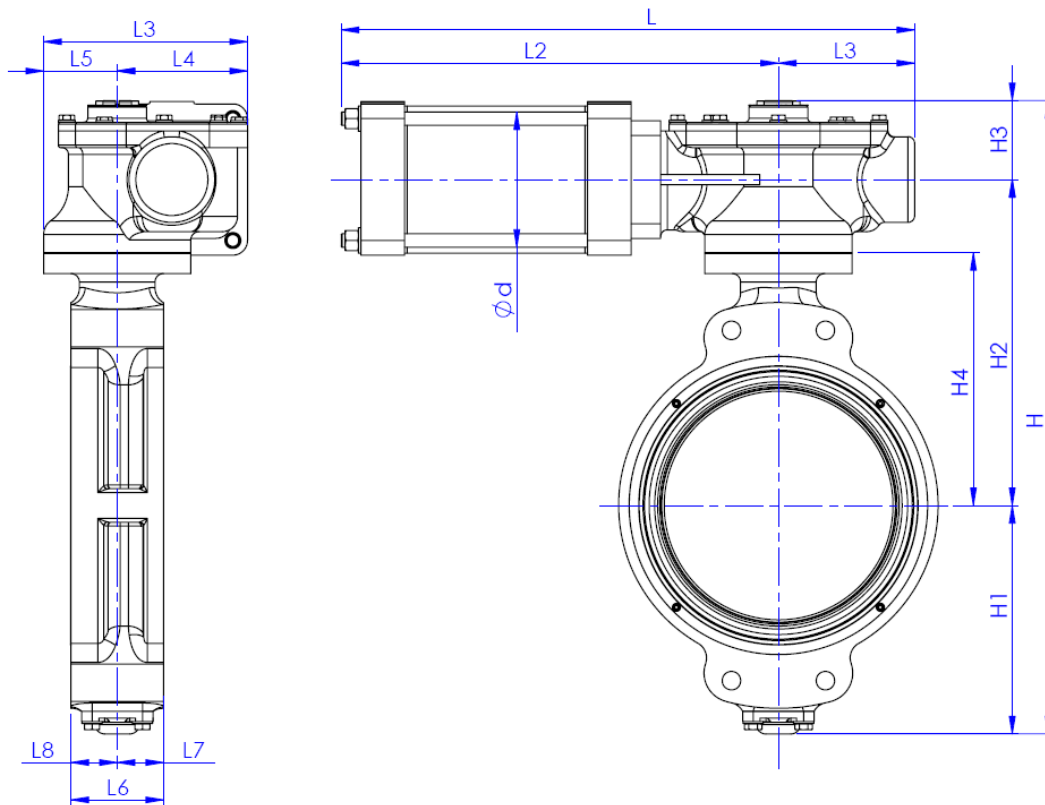




ACBT-3294

PNEUMATIC BUTTERFLY VALVE

Drawing of ACBT-3294



Size	Acc	H	H1	H2	H3	H4	L	L1	L2	L3	L4	L5	L6	L7	L8	d	WGT.
Inch.-mm.																	kg.
1,5" - 40	N10	266	53	158	55	105	397	85	312	145	95	50	33	16	17	63	12
2" - 50	N10	301	67	179	55	126	397	85	312	145	95	50	43	23	20	63	14
2,5" - 65	N10	313	75	183	55	130	397	85	312	145	95	50	46	23	23	63	15
3" - 80	N10	333	95	183	55	130	397	85	312	145	95	50	50	25	25	63	16
4" - 100	N10	370	108	207	55	154	397	85	312	145	95	50	50	25	25	63	17
5" - 125	N10	387	120	212	55	159	397	85	312	145	95	50	60	30	30	63	20
6" - 150	N20	527	168	270	89	190	569	159	410	198	125	73	70	34	36	100	39
8" - 200	N20	601	207	305	89	225	592	159	433	198	125	73	90	43	47	100	64
10" - 250	N20	681	247	345	89	265	592	159	433	198	125	73	110	59	51	100	76
12" - 300	N30	745	272	380	93	300	665	180	485	243	155	88	110	55	55	160	107
14" - 350	N30	832	322	417	93	330	665	180	485	243	155	88	120	60	60	160	130
16" - 400	N40	899	342	452	105	365	812	231	581	288	190	98	130	60	70	160	181
18" - 450	N40	1004	392	507	105	410	812	231	581	288	190	98	150	75	75	200	234
20" - 500	N50	1072	418	542	112	445	913	265	648	345	230	115	160	80	80	200	285
22" - 550	N50	1184	442	630	112	515	913	265	648	345	230	115	170	85	85	200	381
24" - 600	N60	1229	475	635	119	520	1084	290	794	430	295	135	200	105	95	200	468
26" - 650	N60	1317	479	719	119	585	1084	290	794	430	295	135	210	110	100	200	502
28" - 700	N70	1372	535	714	123	580	1172	358	814	450	295	155	229	119	110	200	579
30" - 750	N70	1439	564	752	123	614	1172	358	814	450	295	155	230	115	115	250	669
32" - 800	N70	1503	604	776	123	638	1172	358	814	450	295	155	240	120	120	250	739
36" - 900	N80	1635	665	844	126	690	1475	405	1070	588	425	163	240	120	120	250	978
40" - 1000	N80	1783	733	924	126	770	1475	405	1070	588	425	163	280	140	140	250	1284

Signes in mm. (Informative only)

Same distance between faces for wafer, semi-lug, lug and double flange type valves

Specifications

Pressure Rating	ANSI / ASME Class 150 / 300 ISO PN6 / PN10 / PN16 / PN25 JIS 5K / 10K / 16K / 20K
Standard Size Range	DN40 to DN1000 (other dimensions upon request)
Standard Materials	
Body	Nodular Cast Iron GGG-40 / ASTM A536 Carbon Steel ASTM A216 WCB Stainless Steel AISI 316 / AISI 316L / AISI 420 K-Monel / Superduplex / Duplex AlBz ASTM -B148-9D
Disc	Carbon Steel ASTM A216 WCB Stainless Steel AISI 304 / AISI 316 / AISI 316L / AISI 420 AlBz ASTM B-148-9D K-Monel / Superduplex / Duplex
Shaft	Stainless Steel AISI 304 / AISI 316 / AISI 316L / AISI 420 Duplex / Superduplex / Monel K500

Other materials possible upon request

Dennis Nakakita has a global network with offices in Europe, USA and Asia.



HEAD OFFICE MADRID



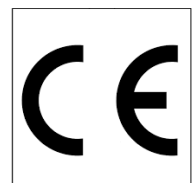
FACTORY SPAIN

Dennis Nakakita operate around the world in different markets as Oil & Gas, Marine & Shipbuilding, Navy, Energy & Water.

DENNIS NAKAKITA is accredited for ISO 9001:2008 by Det Norske Veritas and has also been awarded Worldwide Chamber Trust Seal certificate.



Our equipment has also the Type Approval Certificate from American Bureau of Shipping, Bureau Veritas, Lloyd's Registers, Det Norske Veritas, and also the CE.



www.dennisnakakita.com

DENNIS NAKAKITA, S.A.

c/ Badajoz, 2 – Urb. “La Cabaña”

28223 Pozuelo de Alarcón

Madrid – Spain

Tel. +34 91 352 64 65

Fax. +34 91 352 42 34

Contact

E-mail: dennis@dennisnakakita.com
