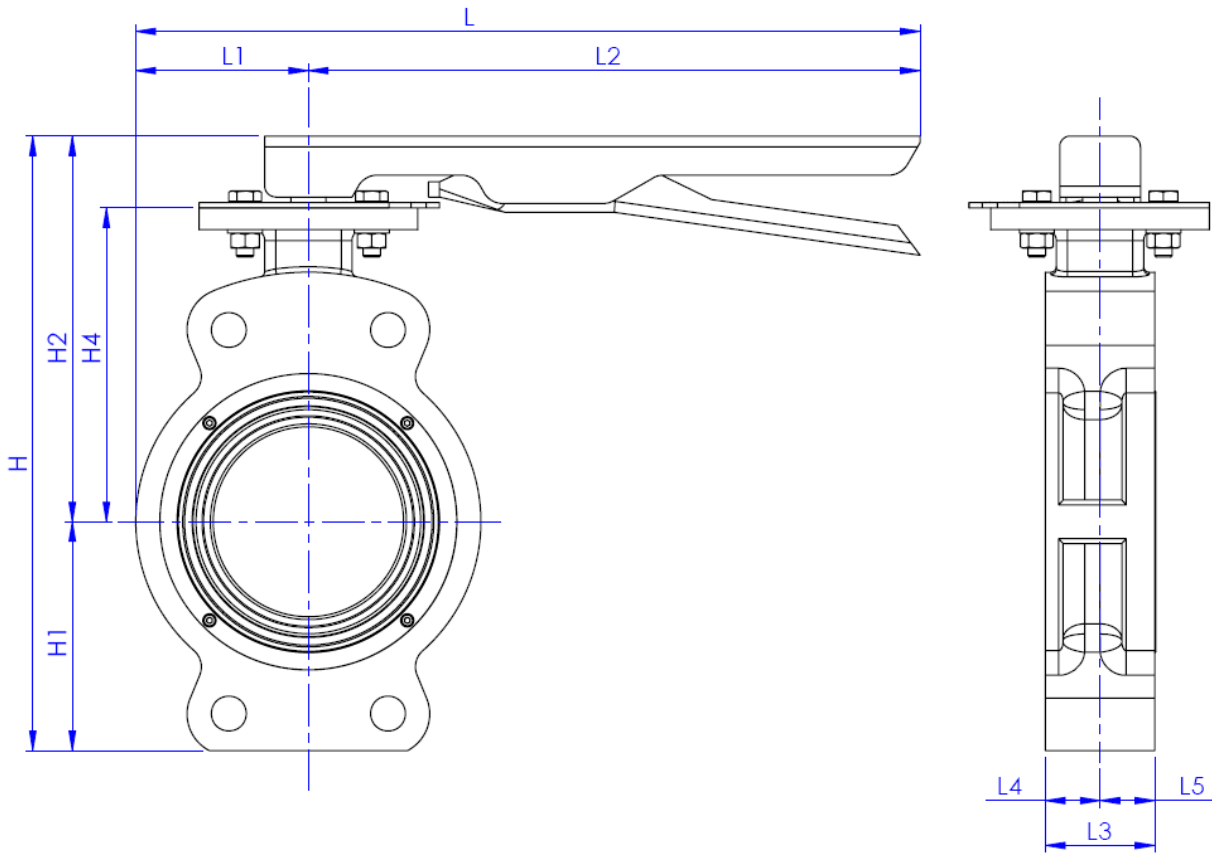




CBT-1218

MANUAL BUTTERFLY VALVE

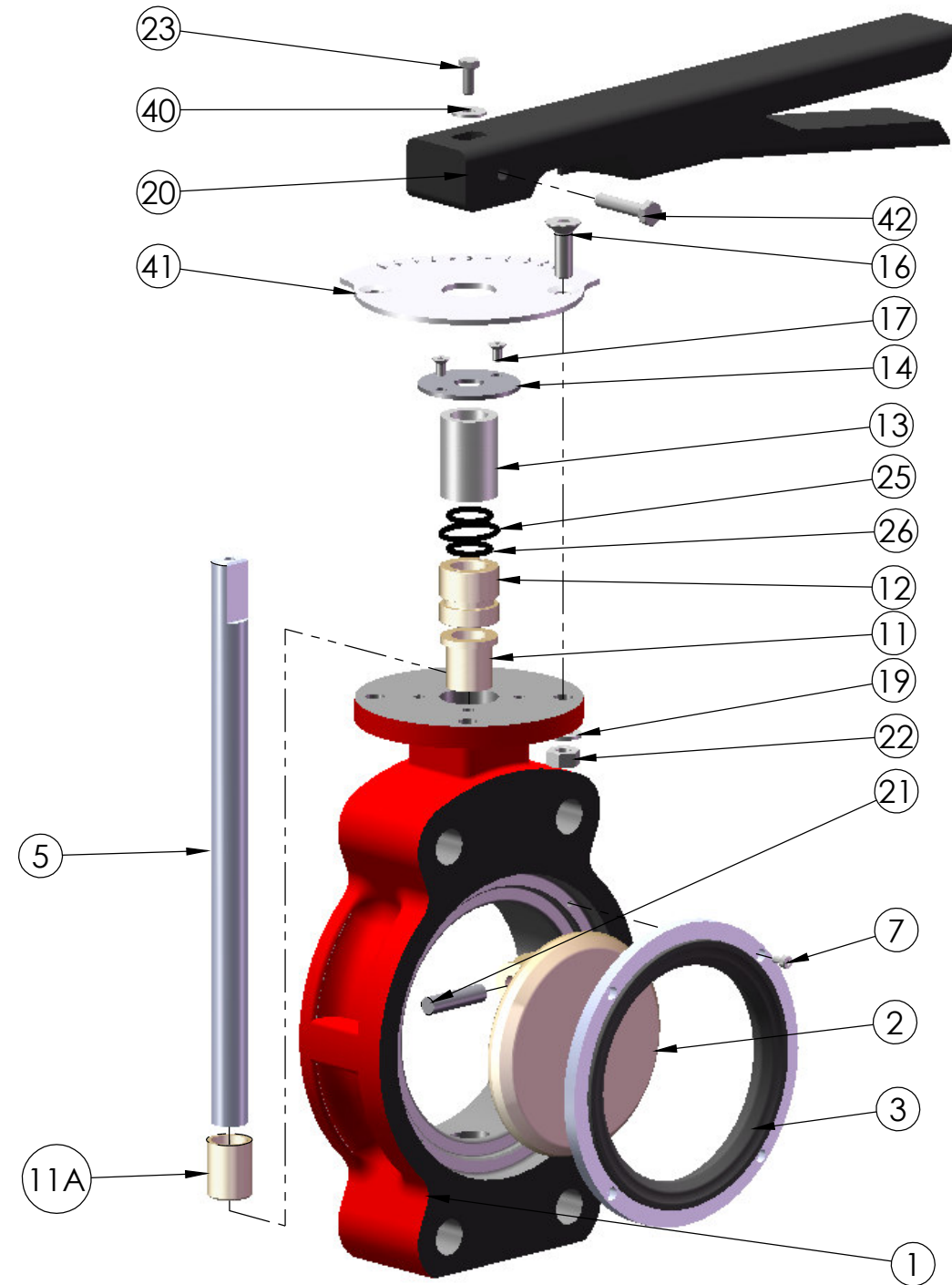
Drawing of CBT-1218



Size	H	H1	H2	H4	L	L1	L2	L3	L4	L5	WGT. Kg.
Inch.-mm.											
1,5" - 40	190	53	137	105	320	40	280	33	16	17	5
2" - 50	220	62	158	130	331	51	280	43	23	20	7
2,5" - 65	217	63	154	123	342	62	280	46	23	23	8
3" - 80	254	90	164	134	350	70	280	50	25	25	9
4" - 100	282	105	177	144	359	79	280	50	25	25	10
5" - 125	308	117	191	158	373	93	280	60	30	30	13
6" - 150	388	163	225	191,5	438	108	330	70	34	36	18
*8" - 200	465	207	258	225	490	134	356	90	43	47	44
*10" - 250	559	247	312	265	610	160	450	110	59	51	58

Signes in mm. (Informative only)
 * Recommended only to low pressure (5 bar max.)

Same distance between faces for wafer, semi-lug, lug and double flange type valves



Nº	NAME	Nº	NAME
1	BODY	17	BOLT
2	DISC	19	SPRING WASHER
3	SEAT	20	LEVER
5	SHAFT	21	TAPER PIN
7	SET SCREW	22	NUT
11	SHAFT BEARING	23	BOLT
11A	SHAFT BEARING	25	O-RING
12	PACKING HOLDER	26	O-RING
13	DISTANCE PIPE	40	SPRING WASHER
14	COVER FLANGE	41	POSITION INDICATOR
16	BOLT	42	BOLT

Specifications

Pressure Rating	ANSI / ASME Class 150 / 300 ISO PN6 / PN10 / PN16 / PN25 JIS 5K / 10K / 16K / 20K
Standard Size Range	DN40 to DN250 (other dimensions upon request)
Standard Materials	
Body	Nodular Cast Iron GGG-40 / ASTM A536 Carbon Steel ASTM A216 WCB Stainless Steel AISI 316 / AISI 316L / AISI 420 K-Monel / Superduplex / Duplex AlBz ASTM -B148-9D
Disc	Carbon Steel ASTM A216 WCB Stainless Steel AISI 304 / AISI 316 / AISI 316L / AISI 420 AlBz ASTM B-148-9D K-Monel / Superduplex / Duplex
Shaft	Stainless Steel AISI 304 / AISI 316 / AISI 316L / AISI 420 Duplex / Superduplex / Monel K500

Other materials possible upon request

Dennis Nakakita has a global network with offices in Europe, USA and Asia.



HEAD OFFICE MADRID



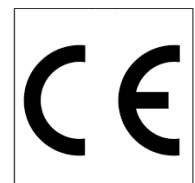
FACTORY SPAIN

Dennis Nakakita operate around the world in different markets as Oil & Gas, Marine & Shipbuilding, Navy, Energy & Water.

DENNIS NAKAKITA is accredited for ISO 9001:2008 by Det Norske Veritas and has also been awarded Worldwide Chamber Trust Seal certificate.



Our equipment has also the Type Approval Certificate from American Bureau of Shipping, Bureau Veritas, Lloyd's Registers, Det Norske Veritas, and also the CE.



www.dennisnakakita.com

DENNIS NAKAKITA, S.A.

c/ Badajoz, 2 – Urb. “La Cabaña”

28223 Pozuelo de Alarcón

Madrid – Spain

Tel. +34 91 352 64 65

Fax. +34 91 352 42 34

Contact

E-mail: dennis@dennisnakakita.com
